

RT240 Specifications

Engine		Performance	
Make	Cummins	Travel Speed (Unladen)	37 km/h; 23 mph
Model	QSM11, US EPA Tier III	Travel Speed (Laden)	24 km/h; 15 mph
Cylinder	6	Travel Speed (Reverse, Max)	11.3 km/h; 7 mph
Power	298 kW; 400 HP	Gradeability	at 3 km/h; 2 mph
Displacement	10.8 L/269 cu in	Unladen	27%
Cooling	Hydraulic driven, variable speed fan	Laden	27%
Fuel	Diesel/JP-8/JP-5	Fording Depth	1.52 m; 60 in

Transmission		Weight	
Make	ZF	Curb Weight	53,751 kg; 118,500 lbs
Model	4 WG310	Front Axle	29,121 kg; 64,200 lbs
Gears	3 Forward, 2 Reverse	Rear Axle	24,630 kg; 54,300 lbs

Axels		Service Capabilities	
Make	Kessler	Fuel Tank	390 L; 103 gal
Model (Front)	LT102PL341/528NLB4650	Hydraulic Tank	681 L; 180 gal
Model (Rear)	LT102PL341/528NLB4660		

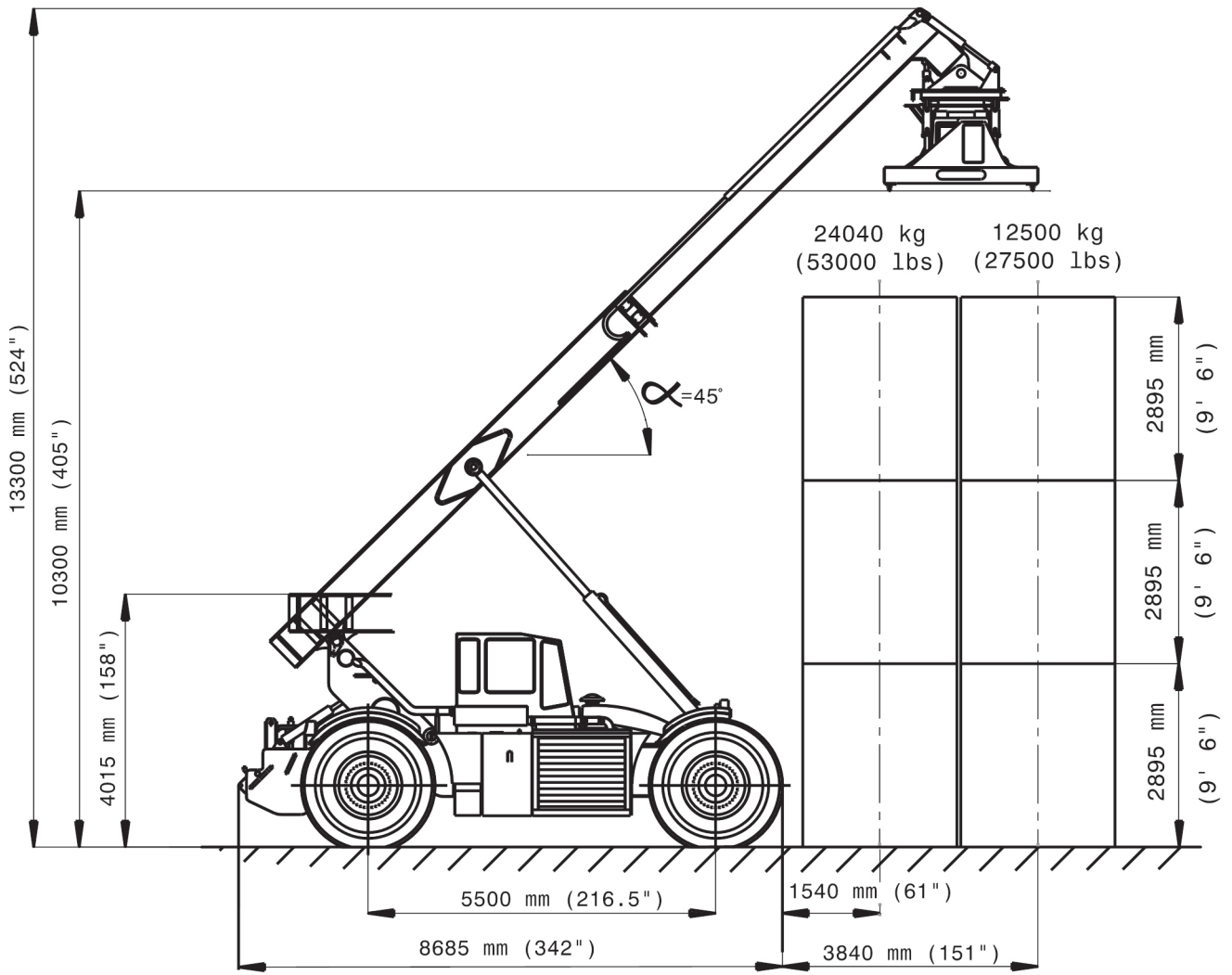
Brakes		Additional Data	
Service	Hydraulically operated and cooled, in-board, wet disk type	Electrical System	24V DC
Parking	Hand operated, spring applied/ hydraulically released	Alternator	105 Amps

Tyres	
Size	29.5 - 35

Transportation Mode



Capacity - Container Handling



Steering Modes

